



WATER • TECHNOLOGY

PERFORMANCE CURVES

2024-09-19

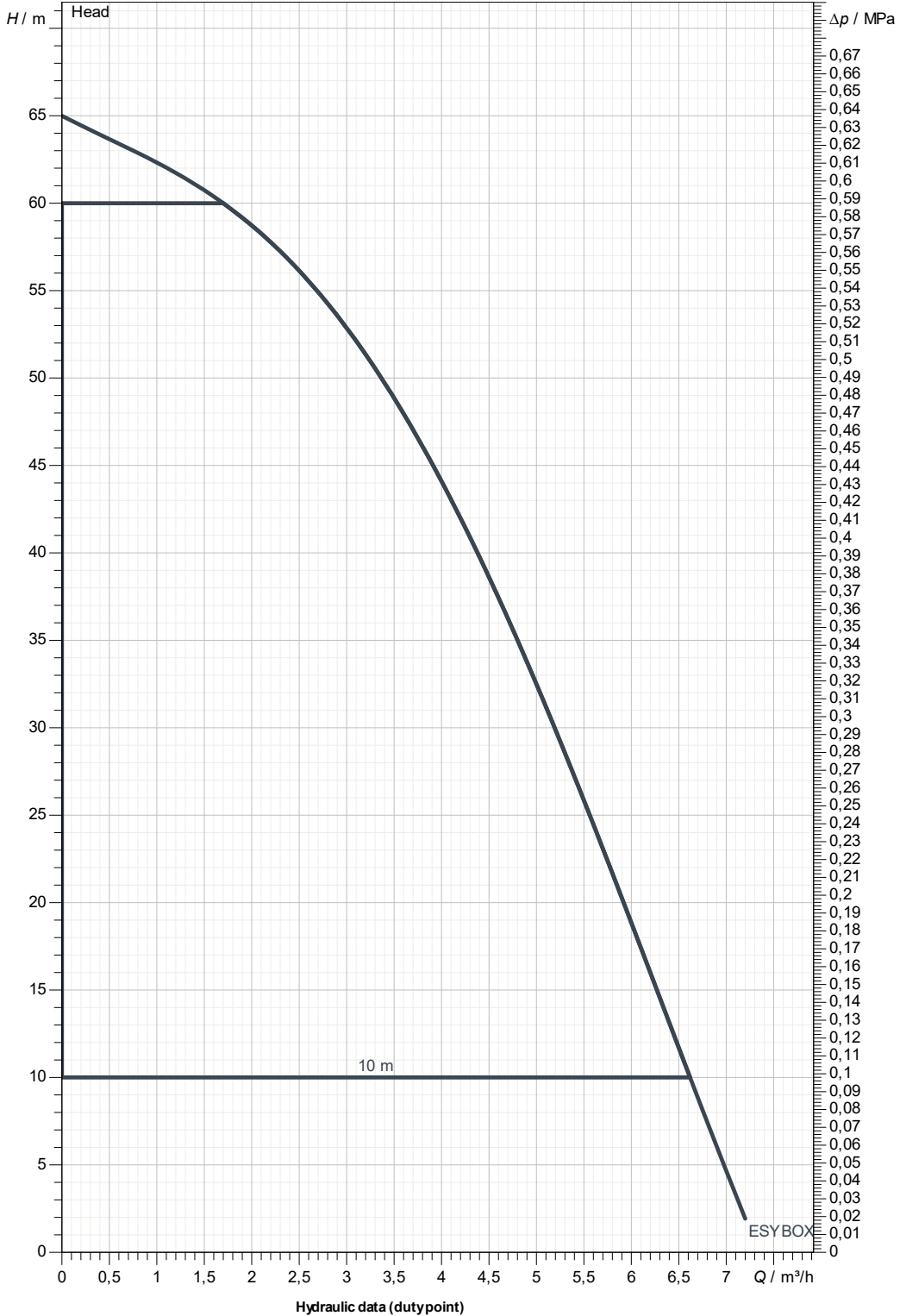
Page 2 / 3

DAB PUMPS S.p.A.
Via Marco Polo, 14 - 35035 Mestrino (PD), Italy
Tel. +39 049 5125000 - Fax +39 049 5125950
www.dabpumps.com

Receiver	From
Company	
Reference	
Address	
Phone	
Fax	
E-mail	

ESYBOX

Curve tolerance according to ISO 9906



Suction side : 1" G 0,8 MPa	Discharge side : 1" G 0,8 MPa	Flow :	Head :	Rated speed : 3.000 1/min
MAIN_PROJECT_TITLE	BUSINESS_PROCESS_ID	OWNER_	ISSUE_DATE 2024-09-19	



DIMENSIONAL DRAWING

2024-09-19

Page 3 / 3

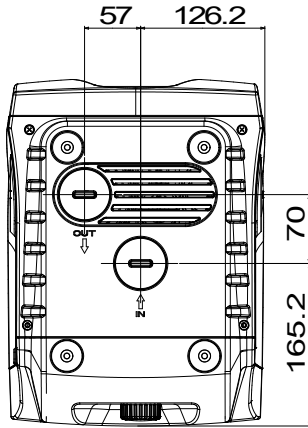
DAB PUMPS S.p.A.
Via Marco Polo, 14 - 35035 Mestrino (PD), Italy
Tel. +39 049 5125000 - Fax +39 049 5125950
www.dabpumps.com

Receiver

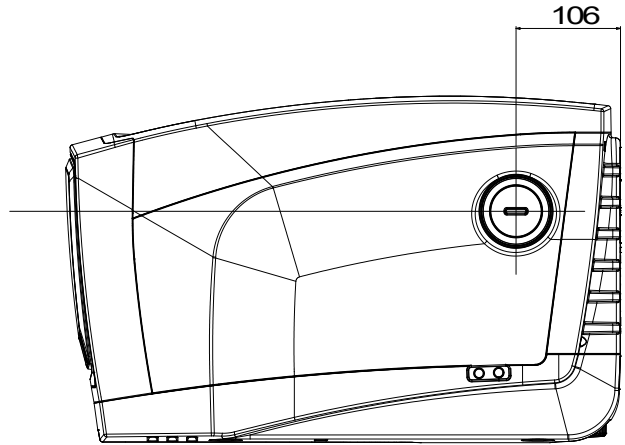
From

Company
Reference
Address
Phone
Fax
E-mail

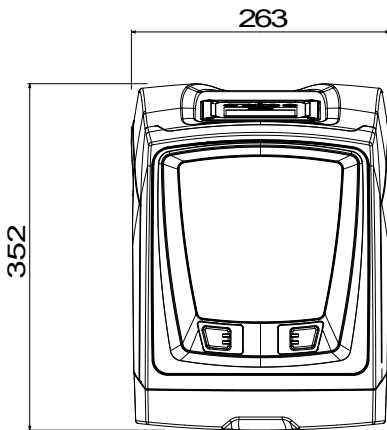
ESYBOX



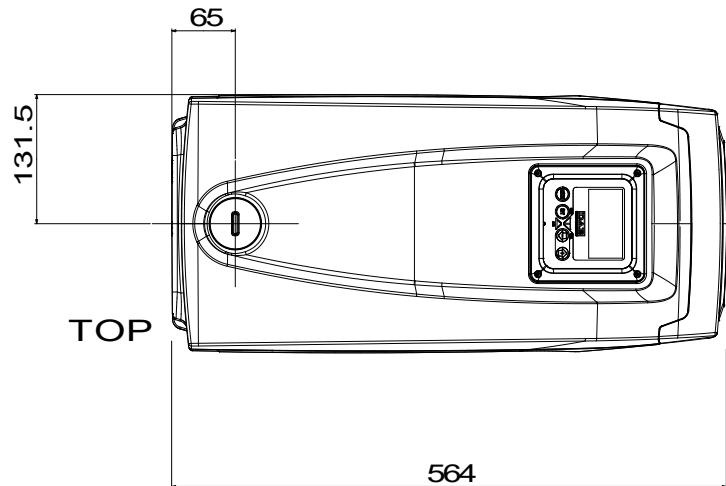
FRONT



RIGHT



BACK



TOP

Dimensions in mm						Pump connection
1						Suction
2						1" G
3						0,8 MPa
4						Discharge
5						1" G
6						0,8 MPa
7						
8						
9						
10						
11						
12						

MAIN_PROJECT_TITLE	BUSINESS_PROCESS_ID	OWNER_	ISSUE_DATE 2024-09-19
--------------------	---------------------	--------	--------------------------